

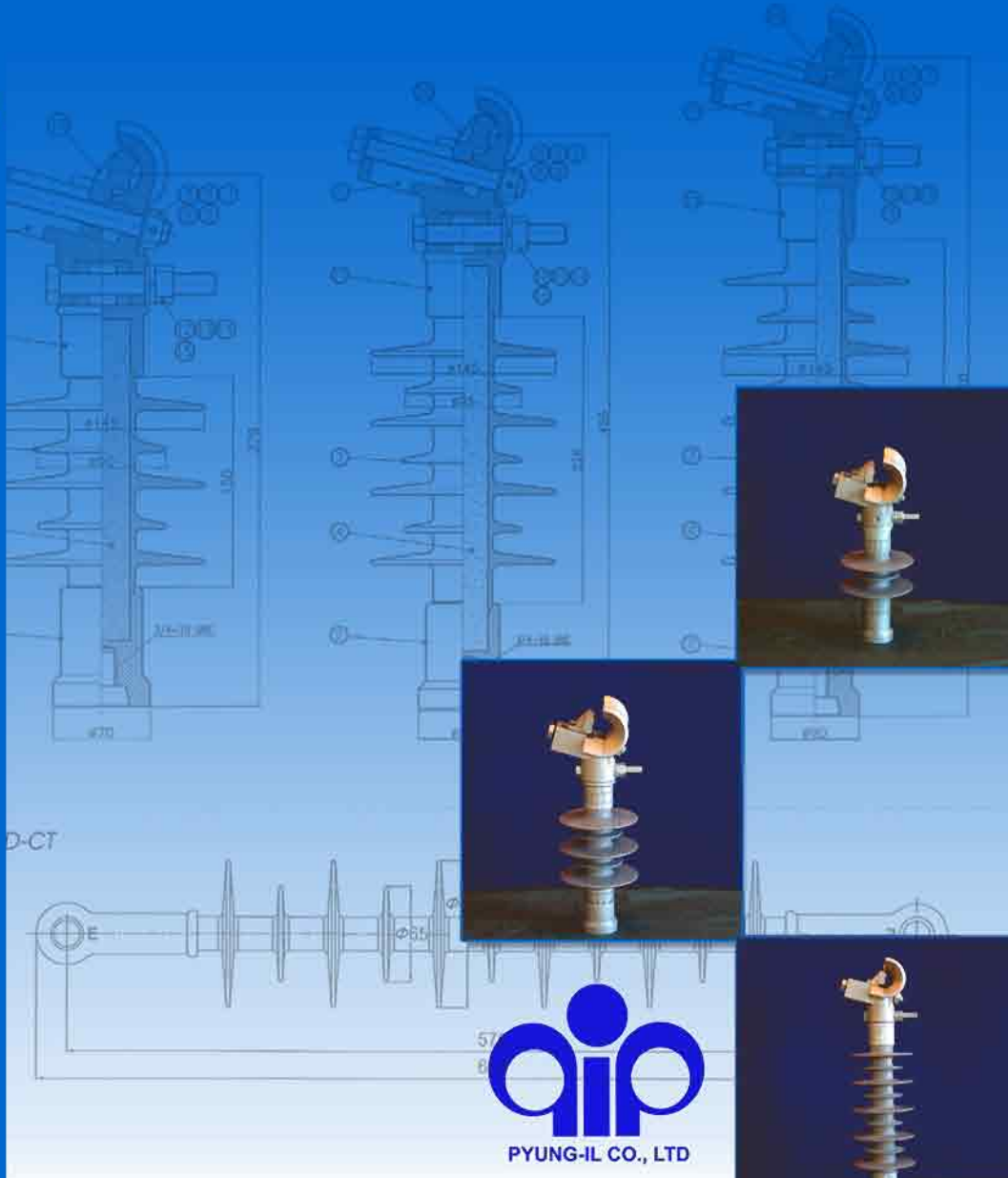


# PYUNG-IL INSULATORS

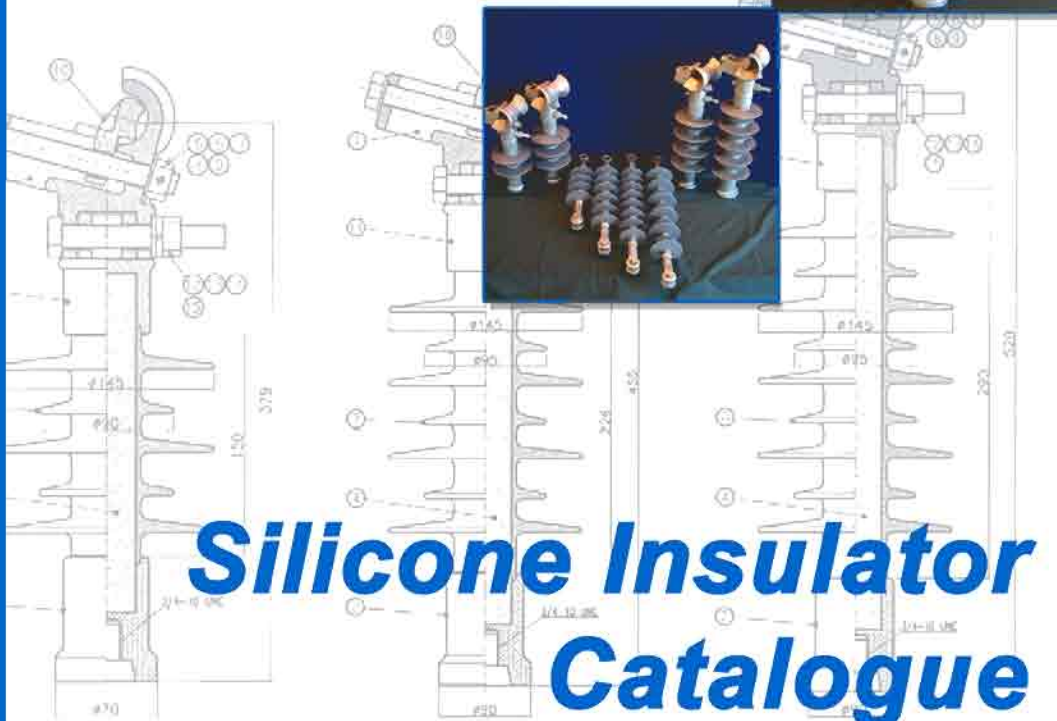
LINE POST  
&  
DEAD-END

FEATURING  
THE NEW

UNIVERSAL  
LINE POST  
INSULATOR



PYUNG-IL CO., LTD



## *Silicone Insulator Catalogue*



**LAKEPORT POWER LTD.**  
169 INDUSTRIAL PARK RD.  
COLBORNE ON, K0K 1S0

905.355.3281  
(FAX) 905.355.3336  
(NORTH AMERICA TOLL-FREE) 800.293.1909

[WWW.LAKEPORTPOWER.COM](http://WWW.LAKEPORTPOWER.COM)  
[INFO@LAKEPORTPOWER.COM](mailto:INFO@LAKEPORTPOWER.COM)

## **Company Profile - Lakeport Power At A Glance**

### **LAKEPORT POWER:**

Lakeport is an established global leader in electrical utility distribution. We represent some of the world's leading manufacturers of utility products from our stocking warehouse location and several partners worldwide.

Centrally located approximately one hour east of Toronto Ontario, Canada, we are able to service customers locally and internationally by all forms of transportation.

Lakeport Power has assembled a team of young, energetic utility specialists to concentrate on providing the most effective means to meet customer's needs.

Lakeport is unique in offering investment recovery solutions to utilities throughout North America and the Caribbean. We know the products used by utilities and their contractors in both transmission and distribution systems.

Lakeport Power prides itself on being able to offer its customers time and cost saving alternatives. At the same time we offer our utility suppliers, the ability to dispose of their unwanted items in an efficient, expedient fashion returning their stranded assets.

We can also provide new distribution transformers through partnerships with North America's leading transformer manufacturers.

Lakeport Power is a service-focused company that takes pride in having product knowledge and quality products to offer. We welcome you to come see our operation first hand and would like to hear from you!

Please drop us a line, or visit us online at: [www.lakeportpower.com](http://www.lakeportpower.com)



## PYUNG-IL Universal Silicone Line Post Insulators

*Distributed by Lakeport Power Ltd.*

### Horizontal OR Vertical -

whatever your configuration,  
this line post insulator has  
you covered!

Lakeport Power Ltd. is proud to  
introduce a line post insulator that can  
be installed in either horizontal or  
vertical configurations.

#### FEATURES:

- Unique two-part clamp design held captive as one piece
- Live-line stick operable
- Easy to install
- Easy to attach/detach traveller
- Tightens using impact gun or wrench
- Perfect for highly contaminated environments
- UV protected

PYUNGIL Insulators have been  
designed & tested to meet the  
requirements of ANSI, IEEE &  
CEA LWIWG-02 at Kinectrics Inc..  
in Ontario.

PYUNGIL Insulators are designed &  
manufactured under the rigid quality  
compliance of the ISO 9001 quality  
assurance program.

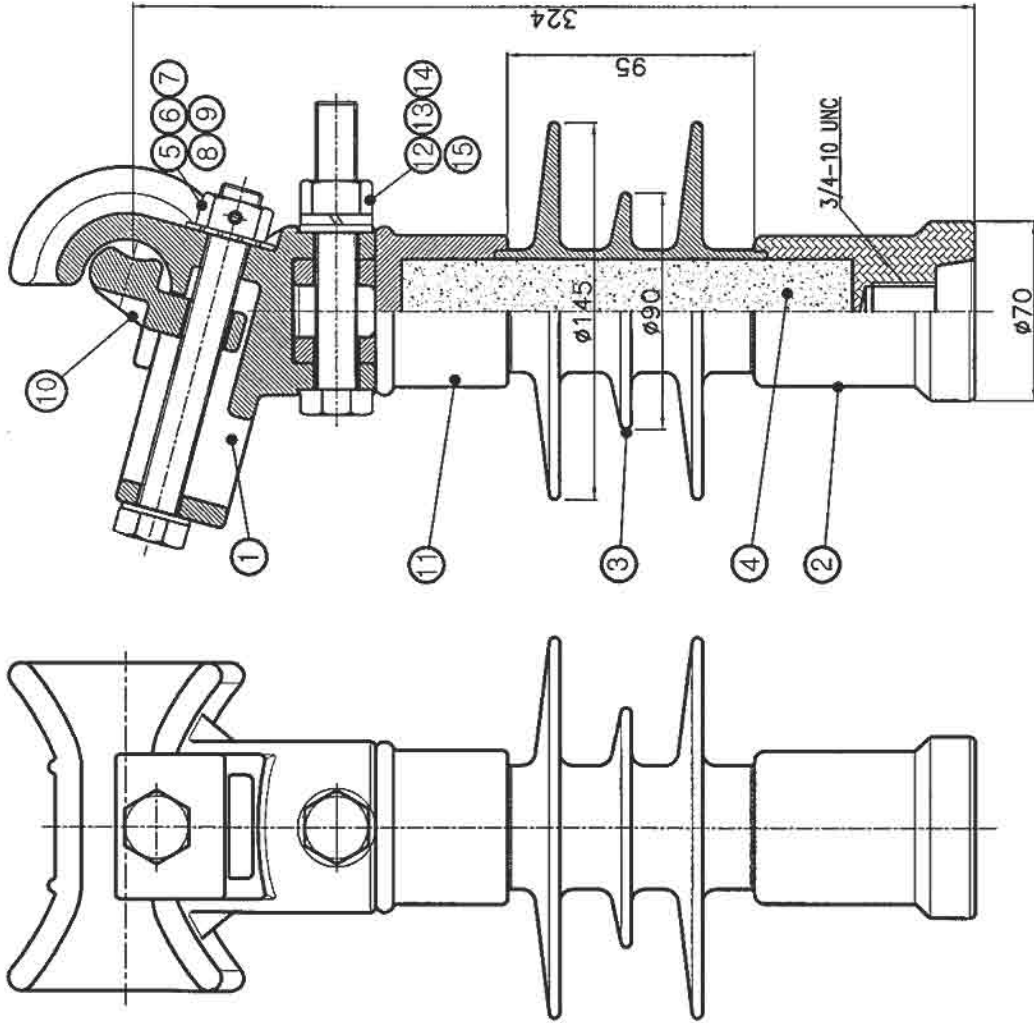
#### ADDED FEATURES

Light-weight, Easy to handle  
Self-cleaning function  
Excellent Mechanical Strength  
High Hydrophobicity



LN15SE-U | LN28SE-U | LN35SE-U | LN46SE-U

*One unit works for  
**BOTH**  
horizontal & vertical  
applications!*



**NOTE**

1. General tolerances : ±5%
2. Leakage distance : Min. 300mm
3. Arcing distance : Min. 140mm
4. W.C.L : Min 5.5kN
5. Dimensions are in mm.
6. Fasteners and threads are in inches.
7. Metal fitting [Steel or Ductile cast iron] : Hot-dipped Zinc coating

NO.	DESCRIPTION	MATERIAL	Q'TY	DWG. NO.	REMARK
15	Plain washer	Steel	1		
14	Spring washer	Steel	1		
13	Hexagon nut	Steel, 5/8-11, UNC	1		
12	Hexagon head bolt	Steel, 5/8-11, UNC	1		
11	Clamp base	Ductile cast iron	1		
10	Keeper	Aluminum alloy	1		
9	O - ring	Rubber	1		
8	Toothed lock washer	Steel	1		
7	Spring-type straight pin	Stainless steel	1		
6	Hexagon nut	Steel, 5/8-11, UNC	1		
5	Hexagon head bolt	Steel, 5/8-11, UNC	1		
4	Core	F.R.P Rod	1		
3	Housing & Sheds	Silicone rubber	1		Grey
2	Mounting Base	Ductile cast iron	1		
1	Clamp	Aluminum alloy	1		

<b>PUNG-L. CO., LTD</b>		<b>UNIVERSAL END CLAMP TYPE LP INSULATOR</b>	
DSGN BY	CHKD BY	APPD BY	TITLE
			Universal End Clamp type LP Insulator LN15SE-U
DATE	RVS'D BY	DWG NO	REF NO
		PI-A02800-4	PI-A02800-4
		REV NO	SHF NO
		0	/

REVISIONS		UNIT	mm
DATE	RVS'D BY	SCALE	N/S
		PROJ.	3RD ANGLE
		DATE	

## Silicone Line Post Insulator 15kV (Universal)

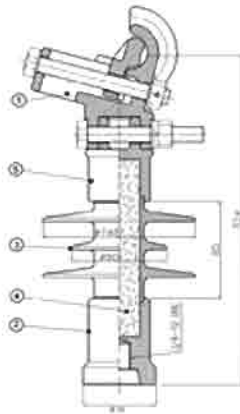


### APPLICATION

Universally mounted line post insulator for 15kV

### FEATURES

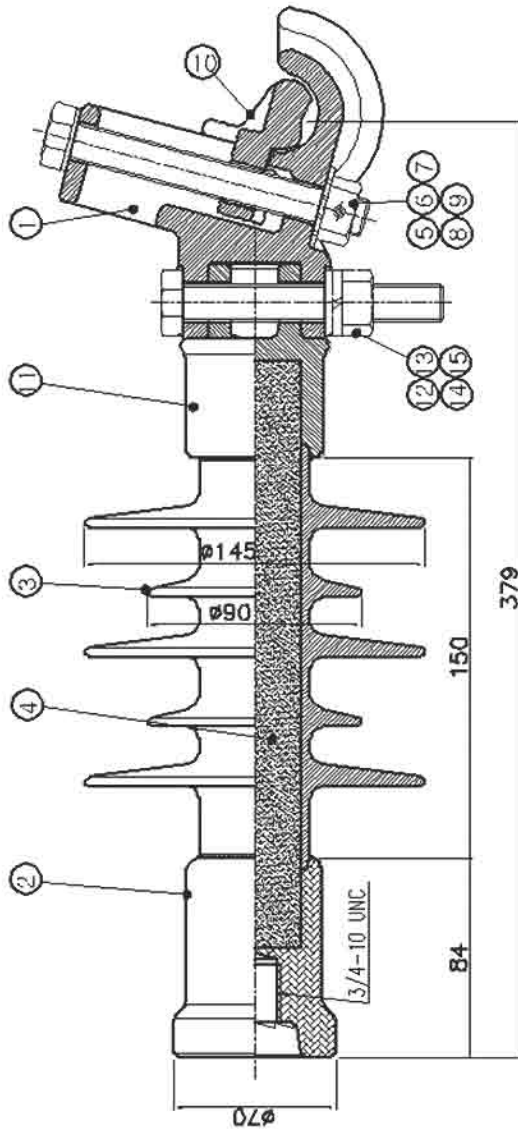
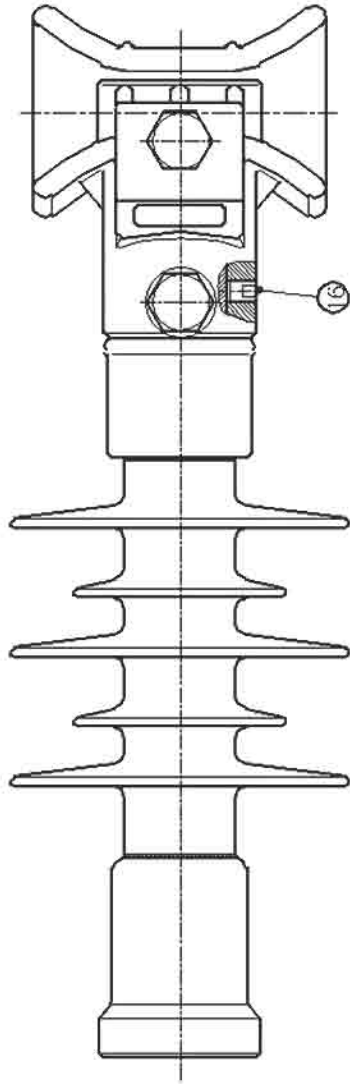
Light Weight & Easy to Handle  
 Not Breakable  
 Self-cleaning Function  
 Excellent Mechanical Characteristics  
 Hydrophobicity



NO.	ITEM	MATERIAL
1	Clamp	Aluminum Alloy
2	Mounting Base	Ductile Casting
3	Housing & Sheds	Silicone Rubber
4	Core	F.R.P Rod
5	Clamp Base	Ductile Casting

NO	ITEM	VALUE
1	Leakage Distance	300mm
2	Dry Arcing Distance	140mm
3	60Hz Dry FO Voltage	75kV
4	60Hz Wet FO Voltage	40kV
5	Lightning Impulse FO Voltage (Positive)	130 kV
6	Lightning Impulse FO Voltage (Negative)	155kV
7	RIV Voltage	10kV
8	Specified Mechanical Load	12kN(1,224kgf)

Wire Range: **Minimum** .1773" (4.5mm) # 6 AWG to **Maximum** 1.379" (35mm) 1400 kcmil



**NOTE**

1. General tolerances : ±5%
2. Leakage distance : Min. 420mm
3. Arcing distance : Min. 195mm
4. W.C.L : Min 5.5kN
5. Dimensions are in mm.
6. Fasteners and threads are in inches.
7. Metal fitting [Steel or Ductile cast iron] : Hot-dipped Zinc coating

NO.	DESCRIPTION	MATER/AL	Q'TY	REMARK
16	Hexagor socre: set screw	Stainless steel	1	
15	Plair washer	Steel	1	
17	Spring washer	Steel	1	
13	Hexagor nut	Steel, 5/8-11, UNC	1	
12	Hexagor head bolt	Steel, 5/8-11, UNC	1	
11	Clamp base	Ductile cast iron	1	
10	Keeper clamp	Aluminium alloy	1	
9	O - ring	Hubber	1	
8	Toothed lock washer	Steel	1	
7	Spring-type straight pin	Stainless steel	1	
6	Hexagor nut	Steel, 5/8-11, UNC	1	
5	Hexagor head bolt	Steel, 5/8 11, UNC	1	
7	Core	F.R.P Rod	1	
3	Housing & shoes	Silicone rubber	1	Grey
2	Mounting base	Ductile cast iron	1	
1	Universal clamp	Aluminium alloy	1	

		<b>PUNG-IL CO., LTD</b>	
DSGN BY	CHKD BY	APPD BY	
TITLE			
Universal End Clamp type LP Insulator			
LN28SE-U			
DWG NO	PI-A02800-5	REV NO	0
REF NO		SHT NO	/

DATE	RVSD BY	REVISED CONTENTS	UNIT	mm
			SCALE	N/S
			PROJ.	3RD ANGLE
			DATE	

## Silicone Line Post Insulator 28kV (Universal)

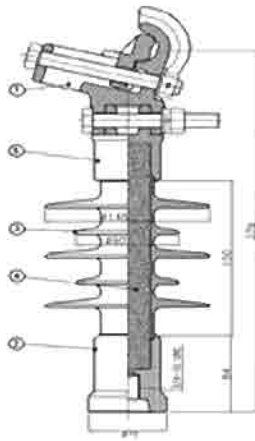


### APPLICATION

Universally mounted line post insulator for 28kV

### FEATURES

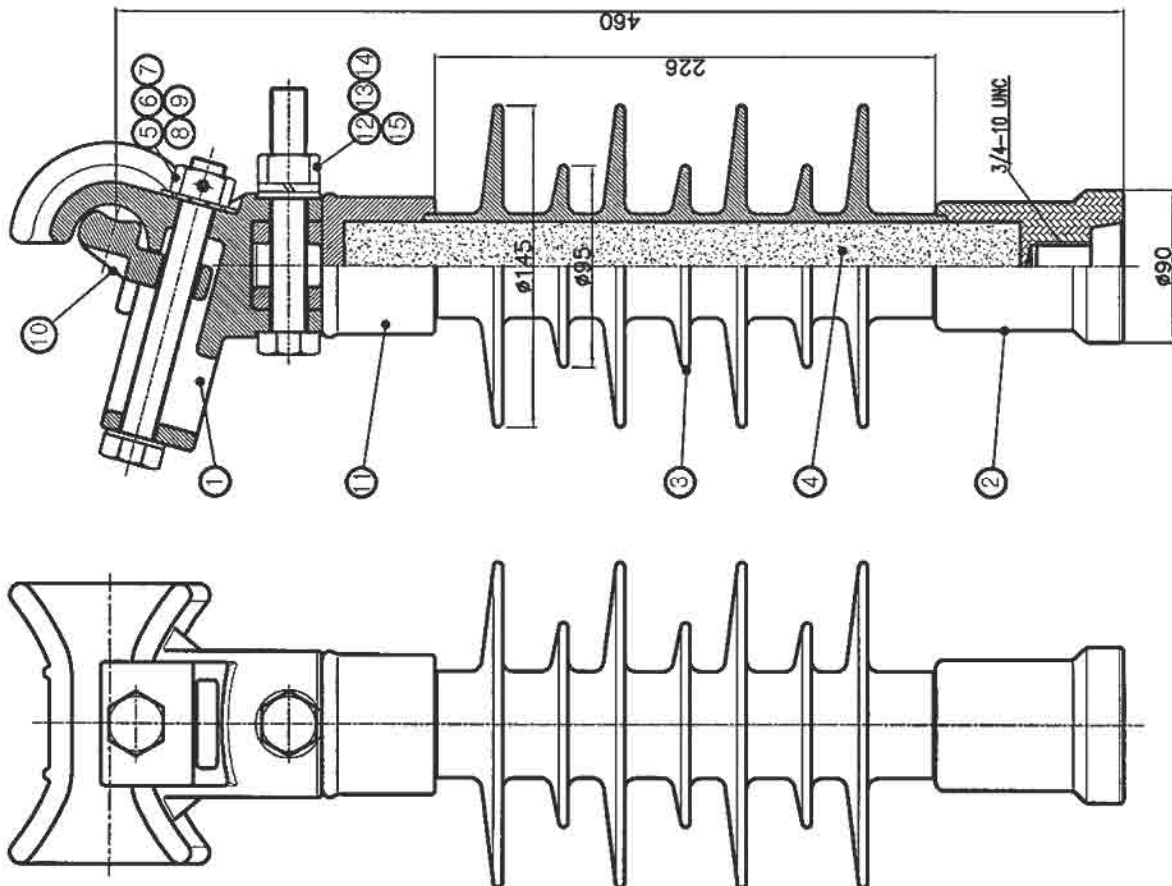
Light Weight & Easy to Handle  
 Not Breakable  
 Self-cleaning Function  
 Excellent Mechanical Characteristics  
 Hydrophobicity



NO.	ITEM	MATERIAL
1	Clamp	Aluminum Alloy
2	Mounting Base	Ductile Casting
3	Housing & Sheds	Silicone Rubber
4	Core	F.R.P Rod
5	Clamp Base	Ductile Casting

NO	ITEM	VALUE
1	Leakage Distance	425mm
2	Dry Arcing Distance	195mm
3	60Hz Dry FO Voltage	95kV
4	60Hz Wet FO Voltage	75kV
5	Lightning Impulse FO Voltage (Positive)	150 kV
6	Lightning Impulse FO Voltage (Negative)	205kV
7	RIV Voltage	15kV
8	Specified Mechanical Load	12kN(1,224kgf)

**Wire Range: *Minimum* .1773" (4.5mm) # 6 AWG to *Maximum* 1.379" (35mm) 1400 kcmil**



**NOTE**

1. General tolerances :  $\pm 5\%$
2. Leakage distance : Min. 664mm
3. Arcing distance : Min. 283mm
4. W.C.L : Min 5.5kN
5. Dimensions are in mm.
6. Fasteners and threads are in inches.
7. Metal fitting [Steel or Ductile cast iron] : Hot-dipped Zinc coating

NO.	DESCRIPTION	MATERIAL	Q'TY	DWG. NO.	REMARK
15	Plain washer	Steel	1		
14	Spring washer	Steel	1		
13	Hexagon nut	Steel, 5/8-11, UNC	1		
12	Hexagon head bolt	Steel, 5/8-11, UNC	1		
11	Clamp base	Ductile cast iron	1		
10	Keeper	Aluminum alloy	1		
9	O - ring	Rubber	1		
8	Toothed lock washer	Steel	1		
7	Spring-type straight pin	Stainless steel	1		
6	Hexagon nut	Steel, 5/8-11, UNC	1		
5	Hexagon head bolt	Steel, 5/8-11, UNC	1		
4	Core	F.R.P Rod	1		
3	Housing & Sheds	Silicone rubber	1		Grey
2	Mounting Base	Ductile cast iron	1		
1	Clamp	Aluminum alloy	1		

		<b>PTUNG-L. CO., LTD</b>	
DSGN BY	CHKD BY	APPD BY	TITLE
			Universal End Clamp type LP Insulator LN35SE-U
DWG NO	REF NO	REV NO	SHEET NO
		0	/

DATE	RVS'D BY	REVISED CONTENTS	UNIT	mm
			SCALE	N/S
			PROJ.	3RD ANGLE
			DATE	

## Silicone Line Post Insulator 35kV (Universal)

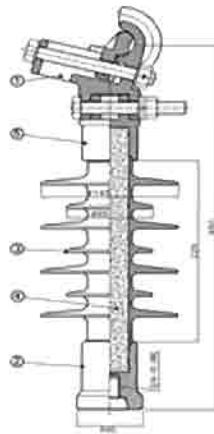


### APPLICATION

Universally mounted line post insulator for 35kV

### FEATURES

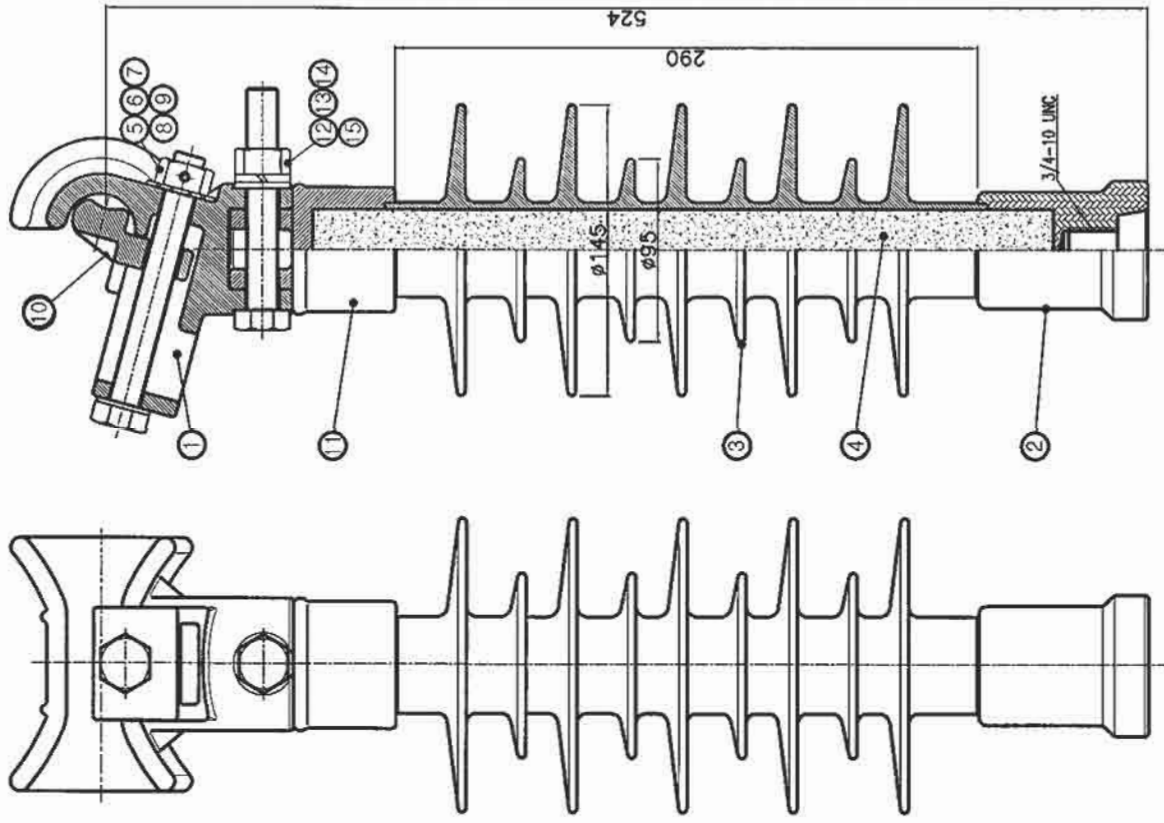
Light Weight & Easy to Handle  
 Not Breakable  
 Self-cleaning Function  
 Excellent Mechanical Characteristics  
 Hydrophobicity



NO.	ITEM	MATERIAL
1	Clamp	Aluminum Alloy
2	Mounting Base	Ductile Casting
3	Housing & Sheds	Silicone Rubber
4	Core	F.R.P Rod
5	Clamp Base	Ductile Casting

NO	ITEM	VALUE
1	Leakage Distance	664mm
2	Dry Arcing Distance	283mm
3	60Hz Dry FO Voltage	120kV
4	60Hz Wet FO Voltage	80kV
5	Lightning Impulse FO Voltage (Positive)	180 kV
6	Lightning Impulse FO Voltage (Negative)	285kV
7	RIV Voltage	22kV
8	Specified Mechanical Load	12kN(1,224kgf)

**Wire Range: *Minimum* .1773" (4.5mm) # 6 AWG to *Maximum* 1.379" (35mm) 1400 kcmil**



**NOTE**

1. General tolerances : ±5%
2. Leakage distance : Min. 846mm
3. Arcing distance : Min. 348mm
4. W.C.L : Min 5.5kN
5. Dimensions are in mm.
6. Fasteners and threads are in inches.
7. Metal fitting [Steel or Ductile cast iron] : Hot-dipped Zinc coating

NO.	DESCRIPTION	MATERIAL	Q'TY	DWG. NO.	REMARK
15	Plain washer	Steel	1		
14	Spring washer	Steel	1		
13	Hexagon nut	Steel, 5/8-11, UNC	1		
12	Hexagon head bolt	Steel, 5/8-11, UNC	1		
11	Clamp base	Ductile cast iron	1		
10	Keeper	Aluminum alloy	1		
9	O - ring	Rubber	1		
8	Toothed lock washer	Steel	1		
7	Spring-type straight pin	Stainless steel	1		
6	Hexagon nut	Steel, 5/8-11, UNC	1		
5	Hexagon head bolt	Steel, 5/8-11, UNC	1		
4	Core	F.R.P Rod	1		
3	Housing & Sheds	Silicone rubber	1		Grey
2	Mounting Base	Ductile cast iron	1		
1	Clamp	Aluminum alloy	1		

TITLE		DWG NO	REV NO
Universal End Clamp type LP insulator		PI-A02800-7	0
LN46SE-U			
REF NO		SIT NO	/

DATE	RVS'D BY	UNIT	mm
		SCALE	N/S
		PROJ.	3RD ANGLE
		DATE	

REVISED CONTENTS

DESIGN BY CHKD BY APP'D BY

PNUNG-L. CO., LTD

## Silicone Line Post Insulator 46kV (Universal)

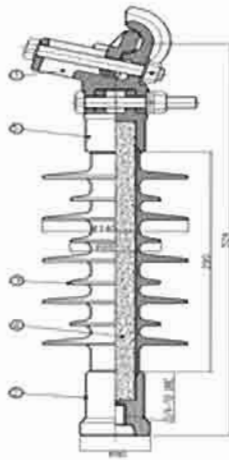


### APPLICATION

Universally mounted line post insulator for 46kV

### FEATURES

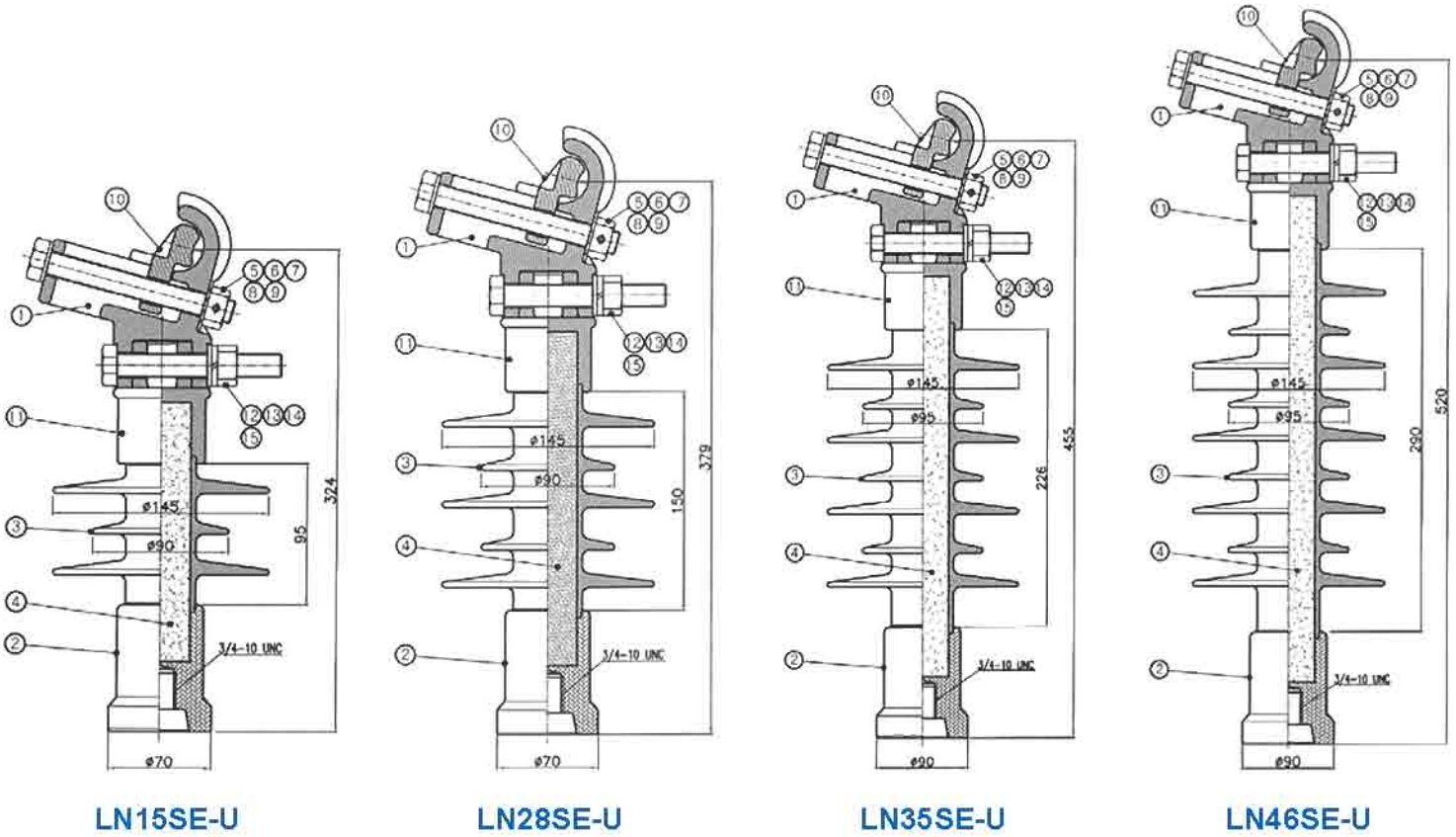
Light Weight & Easy to Handle  
 Not Breakable  
 Self-cleaning Function  
 Excellent Mechanical Characteristics  
 Hydrophobicity



NO.	ITEM	MATERIAL
1	Clamp	Aluminum Alloy
2	Mounting Base	Ductile Casting
3	Housing & Sheds	Silicone Rubber
4	Core	F.R.P Rod
5	Clamp Base	Ductile Casting

NO	ITEM	VALUE
1	Leakage Distance	846mm
2	Dry Arcing Distance	348mm
3	60Hz Dry FO Voltage	145kV
4	60Hz Wet FO Voltage	100kV
5	Lightning Impulse FO Voltage (Positive)	240kV
6	Lightning Impulse FO Voltage (Negative)	350kV
7	RIV Voltage	30kV
8	Specified Mechanical Load	12kN(1,224kgf)

**Wire Range: *Minimum* .1773" (4.5mm) # 6 AWG to *Maximum* 1.379" (35mm) 1400 kcmil**



LN15SE-U

LN28SE-U

LN35SE-U

LN46SE-U

	LN15SE-U	LN28SE-U	LN35SE-U	LN46SE-U
General Tolerances	±5%	±5%	±5%	±5%
Leakage Distance	Min. 300mm	Min. 420mm	Min. 664mm	Min. 846mm
Arcing Distance	Min. 140mm	Min. 195mm	Min. 283mm	Min. 348mm
W.C.L.	Min. 5.5kN	Min. 5.5kN	Min. 5.5kN	Min. 5.5kN

**Note:**

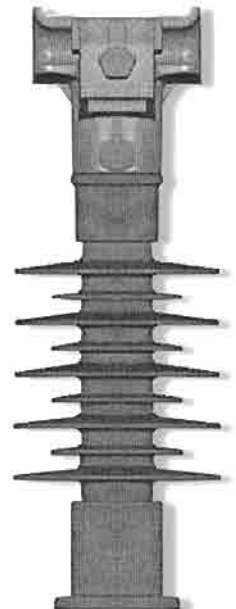
- Dimensions are in mm.
- Fasteners and threads are in inches.
- Metal fitting (Steel or Ductile cast iron) : Hot-dipped Zinc coating

## Standard Shipping Dimensions

This product is shipped standard 3 units per box.  
The weight and dimensions are as follows:

1. 15KV (Standard Box of 3) - Weight: 33 lbs - Box Dimensions: 16 x 22 x 8.5
2. 28KV (Standard Box of 3) - Weight: 36 lbs - Box Dimensions: 18 x 22 x 8.5
3. 35KV (Standard Box of 3) - Weight: 44 lbs - Box Dimensions: 22 x 22 x 8.5
4. 46KV (Standard Box of 3) - Weight: 47 lbs - Box Dimensions: 24 x 22 x 8.5

Visit [www.lakeportpower.com](http://www.lakeportpower.com) for more information.



## PYUNG-IL Silicone Dead-End Insulators

*Distributed by Lakeport Power Ltd.*

### *Introducing ...*

Lakeport Power is proud to introduce PYUNG-IL dead-end insulators.

#### **The PYUNG-IL Silicone Advantage:**

- Ideal for cold weather applications
- Perfect for highly contaminated environments.
- UV Protected
- Vandal Resistant
- Resistant to typical breakage from shipping, storage & installation

PYUNG-IL Insulators have been designed and tested to meet the requirements of ANSI, IEEE, IEC and CEA LWIWG-01 (91) by Kinectrics Inc. in Ontario Canada.

PYUNG-IL Insulators are designed and manufactured under the rigid quality compliance of the ISO 9001 quality assurance program.

### ADDED FEATURES

Light-weight, Easy to handle  
Self-cleaning function  
Excellent Mechanical Strength  
High Hydrophobicity

DN 46SD-CT



DN 35SD-CT



DN 28SD-CT

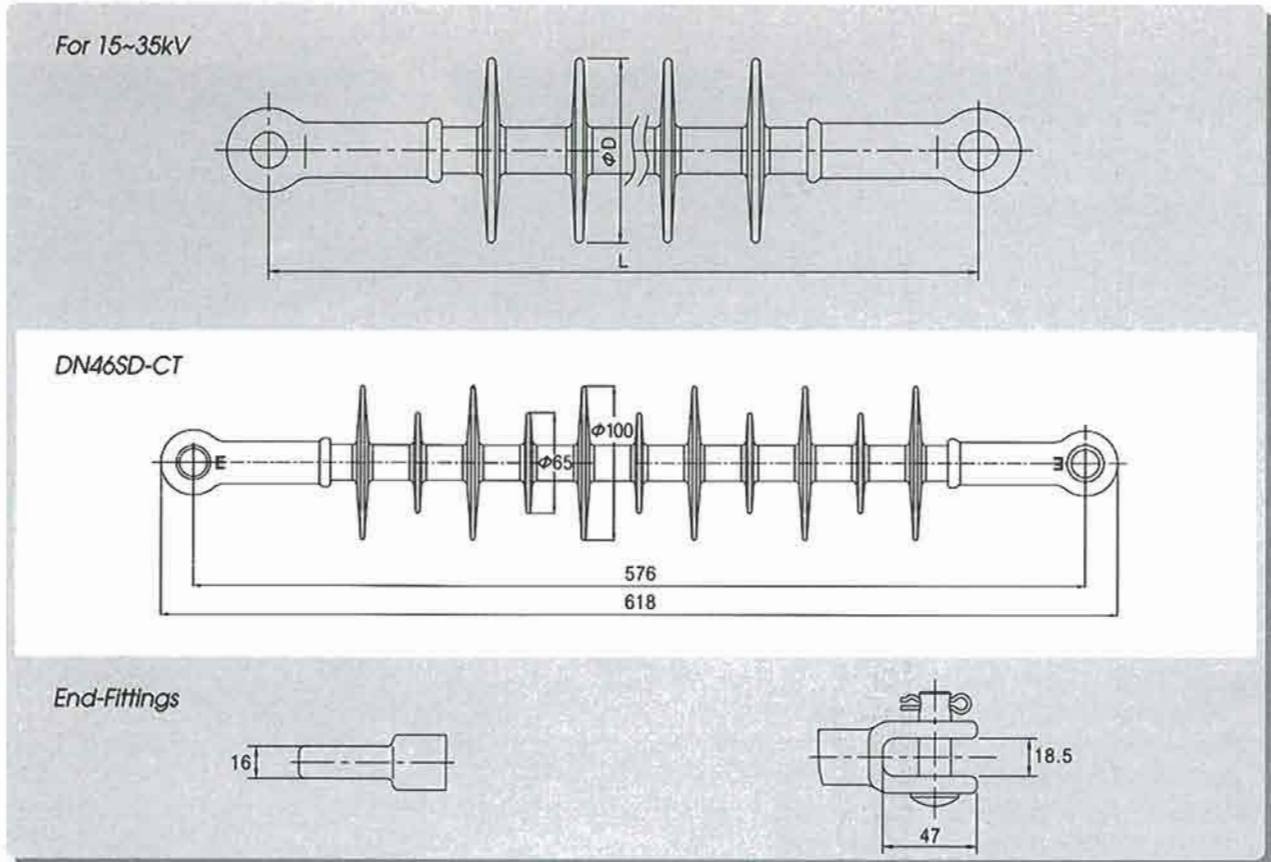


DN 15SD-CT



**SILICONE DEAD-END INSULATOR**

**Drawing**



**Rating**

ITEM	Unit	DN15SD-CT	DN28SD-CT	DN35SD-CT	DN46SD-CT	
Voltage Class	kV	15	28	35	46	
Number of Sheds		4	6	8	11(6/5)	
Section Length(L)	mm	336	446	532	576	
Shed Diameter(D)	mm	95	92	86	100/65	
Leakage Distance	mm	414	634	796	990	
Dry Arcing Distance	mm	204	317	383	440	
60Hz Flashover	DRY	kV	100	130	145	180
	WET	kV	70	110	130	145
Impulse Flashover(POSITIVE)	kV	140	190	250	280	
Radio Influence	TEST	kV	10	20	25	30
	AT 1000kHz	μV		10		
Min.Specified Mechanical Load	kN(lb)	70(15,000)				
Min.Torsional Load	N-m(ft-lb)	55(40)				

Electrical and mechanical ratings are based on international industrial standards and do not reflect maximum levels.



# LAKEPORT

EQUIPMENT LTD.

[www.lakeportequip.com](http://www.lakeportequip.com) 866-525-7678

169 Industrial Park Rd  
Colborne ON  
Canada K0K 1S0  
905.355.3281  
(Fax) 905.355.3336

## INTRODUCING LAKEPORT EQUIPMENT: DELIVERING VALUE & QUALITY, EVERYTIME.

Lakeport Equipment is the sister company to Lakeport Power. Both companies operate under the **Lakeport Group**, and are emerging industry leaders in the utility supply sector.

Lakeport Equipment buys and sells new and used utility vehicles, like digger derricks, bucket trucks and reel trailers. We also buy and sell material handling equipment, pallet racking and storage trailers and containers.

One of our strongest attributes is our experience exporting utility vehicles to international customers. Lakeport Equipment's specialty is finding just the right vehicle for our customers' needs, and delivering it right to them! Our trucks can be found throughout the Caribbean, and provide excellent service to contractors and utilities throughout the region.

If you would like more information regarding Lakeport Equipment's services, inventory lists or product specials please contact:

**Paul Allison**  
Account Manager

905.355.3281 x:33  
866.525.7678  
905.355.3336 (Fax)  
[pallison@lakeportequip.com](mailto:pallison@lakeportequip.com)

**Shane Weatherby**  
Account Manager

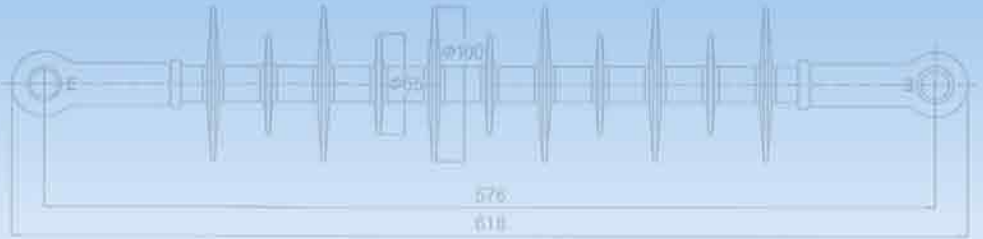
905.355.3281 x:26  
866.525.7678  
(Fax) 905.355.3336  
[sweatherby@lakeportequip.com](mailto:sweatherby@lakeportequip.com)





*"Servicing Electrical Utilities Worldwide."*

46SD-CT



**Lakeport Power Ltd.**  
**R.R.#2**  
**169 Industrial Park Rd**  
**Colborne Ontario,**  
**Canada, K0K 1S0**

**P: 905.355.3281**  
**F: 905.355.3336**  
**TF: 800.293.1909**

**info@lakeportpower.com**  
**www.lakeportpower.com**



**Canadian Sales Agent**  
**888.877.2116**



Printed in Canada on Recycled Paper